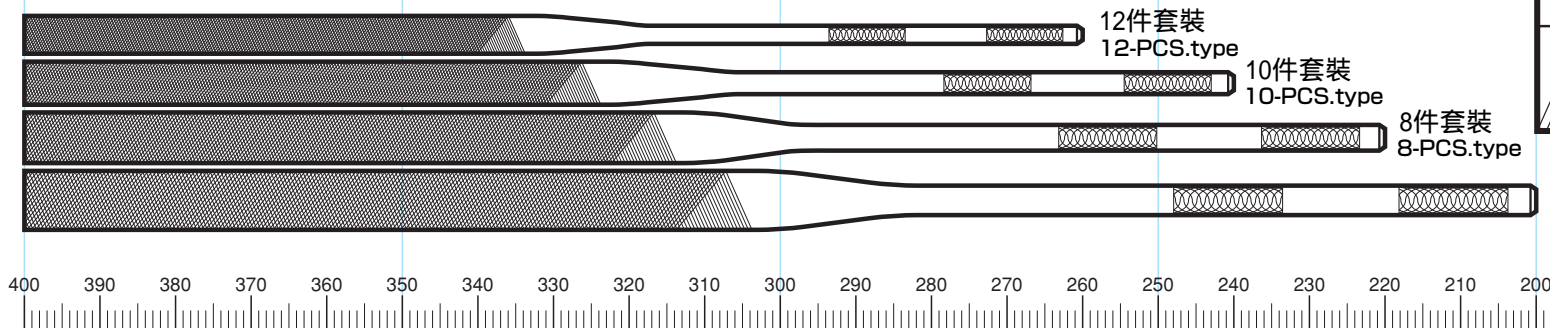


- 因為生鏽等原因，不能正確判斷銼刀名稱時，為確認銼刀名稱，請把實物對照圖紙進行確認。
- On the time when the customer missed "STEEL FILE NAME" due to RUSTY and BLACKENED DART, please put an unknown STEEL FILE on this paper in order to the confirmation of "STEEL FILE NAME".

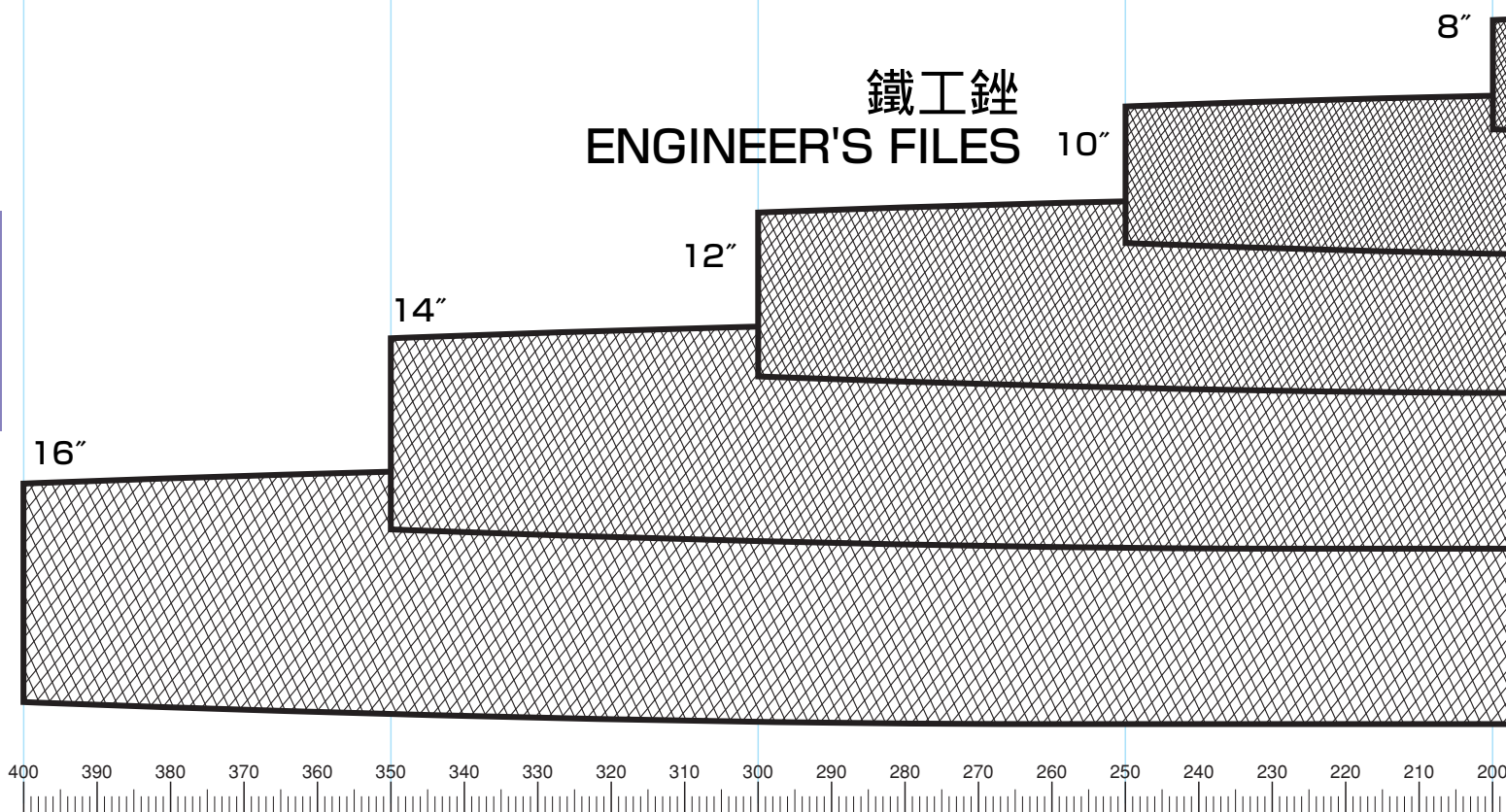
精密銼 PRECISION NEEDLE FILES



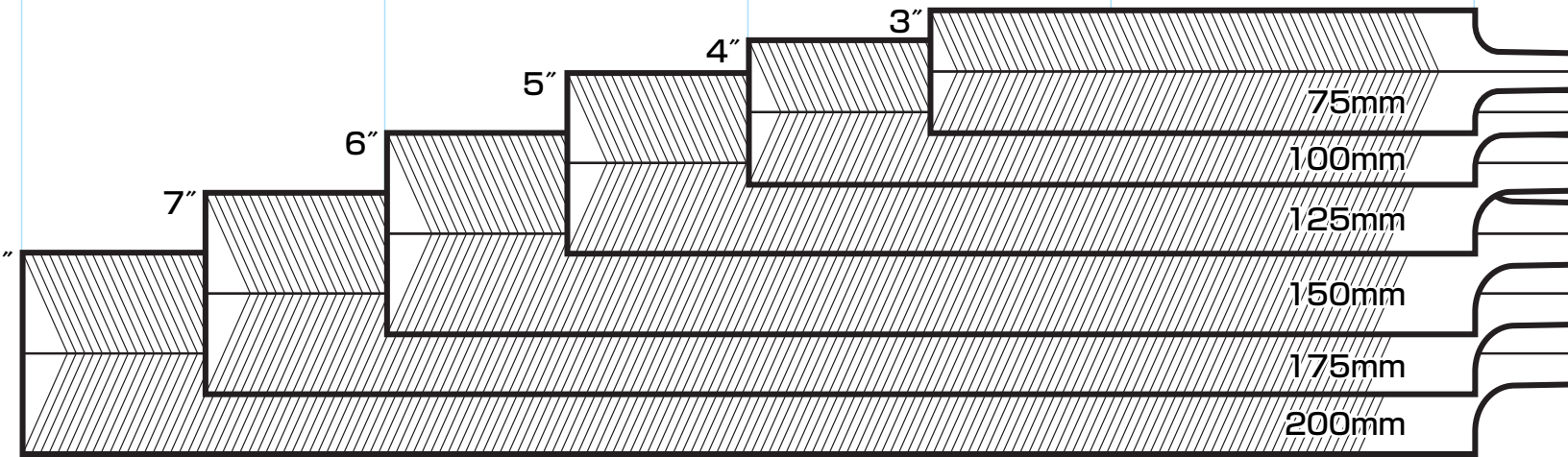
什錦銼 DIE SINKER'S ASSORTED FILES

8件套裝 8-PCS.type
 5件套裝 5-PCS.type

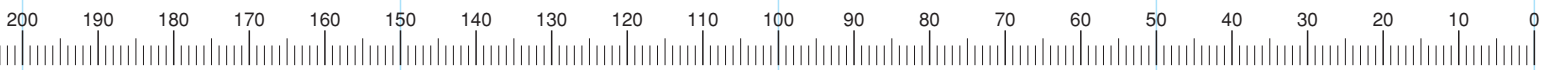
鐵工銼 ENGINEER'S FILES



菱形銼 FEATHER EDGE SAW FILES

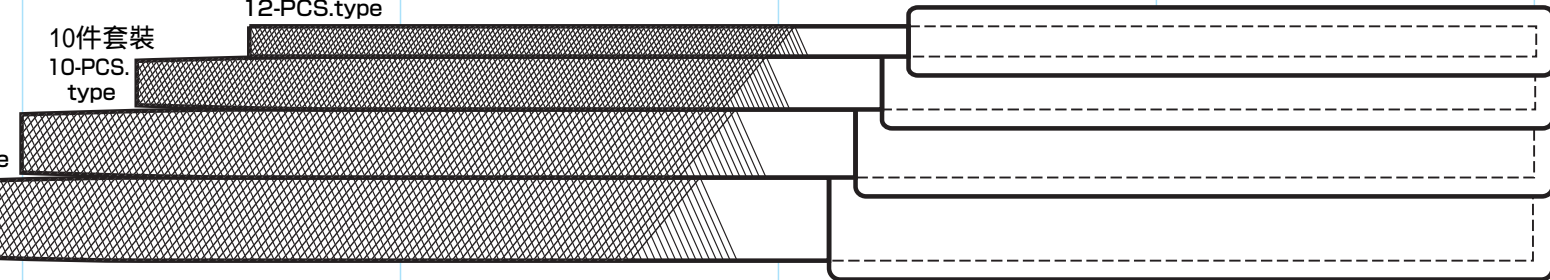


5件套裝
5-PCS.type



12件套裝
12-PCS.type

10件套裝
10-PCS.type



6"

150mm

200mm

250mm

300mm

350mm

400mm

